



**NEW  
2021**

# Saniflush®



**Easy access to the macerator by sliding the ceramic.**

**Complete toilet with efficient maceration system.  
Classic toilet design with conventional bowl base.**



**Classic design, double spiral flush system with 3-6 L tank.**

**Easy to clean: ceramic with flangeless system.**

**Can be connected to a washbasin.**

**Silence technology: 46 dB(A).**

**APPLICATIONS**



Washbasin

**PUMPING**



**WARRANTIES & EXTENSIONS** pg.11



Reference:  
With washbasin  
EAN 3308815082417  
SANIFLUSH



Flangeless system

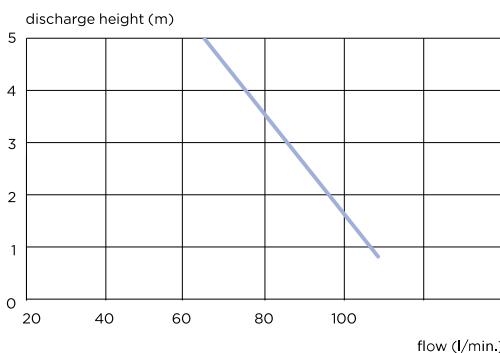
**SEMI-TRANSPARENT VIEW**



**TECHNICAL FEATURES**

<b>Number of available inlets</b>	1 (right or left)
<b>Ø of inlets</b>	40 mm
<b>Ø of recommended discharge pipe</b>	32 mm
<b>Max. flow</b>	90 L/min
<b>Power rating</b>	400 W
<b>Voltage</b>	220-240 V/50 Hz
<b>Electrical class</b>	1
<b>Noise level</b>	46 dB(A)

**PUMP PERFORMANCE CURVE**

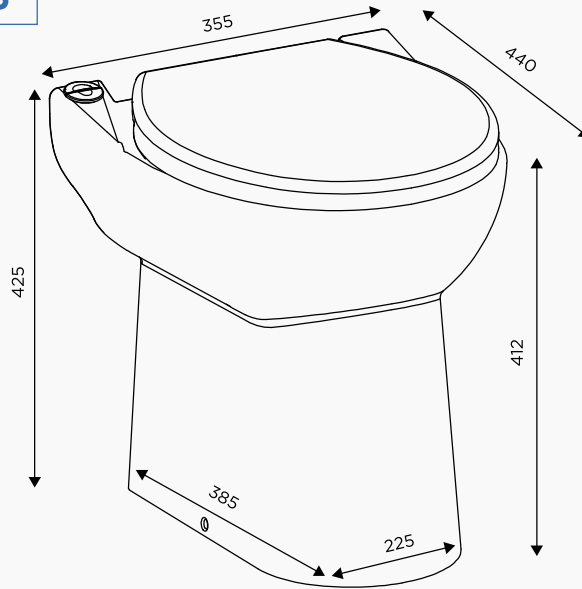


**PACKING LIST**

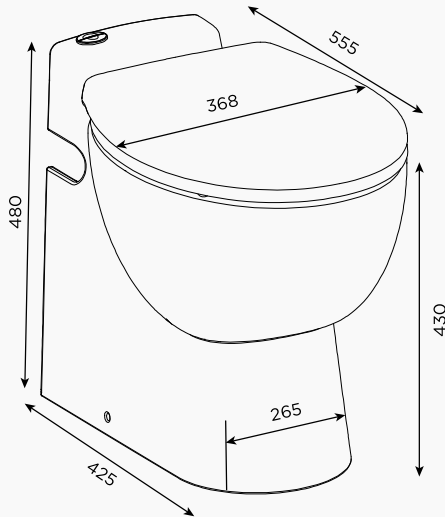
- Ceramic Saniflush® with 3-6 litre tank
- Check valve
- Floor fixings provided
- Clip-on soft-closing toilet lid



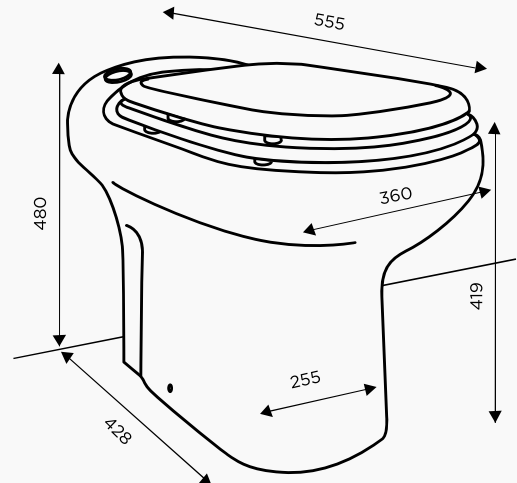
**Sanicompact® 43**



**Sanicompact® Pro**



**Sanicompact® Elite**



**Saniflush®**

