

# Sanicubic<sup>®</sup> 1 / 1 WP

grey water, black water

Sanicubic 1 and 1 WP are stations designed for individual use (pavilion, small commercial premises) and collect all waste water from toilets, bathrooms, kitchens or laundry rooms. They benefit from the Pro X K2 grinding technology evacuating waste water a small 50 mm diameter ext. pipe. The WP IP 68 version is delivered with a remote control box and a wired audible and visual alarm.

## PERFORMANCES

- Total manometric head: 13 m
- Max. flow rate: 15 m<sup>3</sup>/h

## PRODUCT BENEFITS

- Installation without clearance
- Accessibility for maintenance purposes
- 4 inlets, including 2 low ones
- Dilution Pro X K2
- Pipe discharge 50mm ext.
- Max. temperature of incoming waste water: 70°C
- WP version IP 68 with remote control box



## STANDARD (SEE ACCESSORIES PAGES)

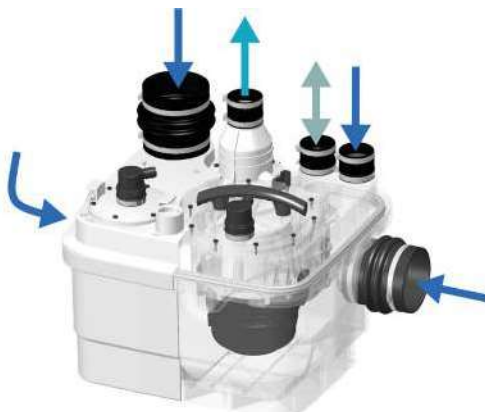
Classic control box (Sanicubic<sup>®</sup> 1 WP)



Wired alarm box



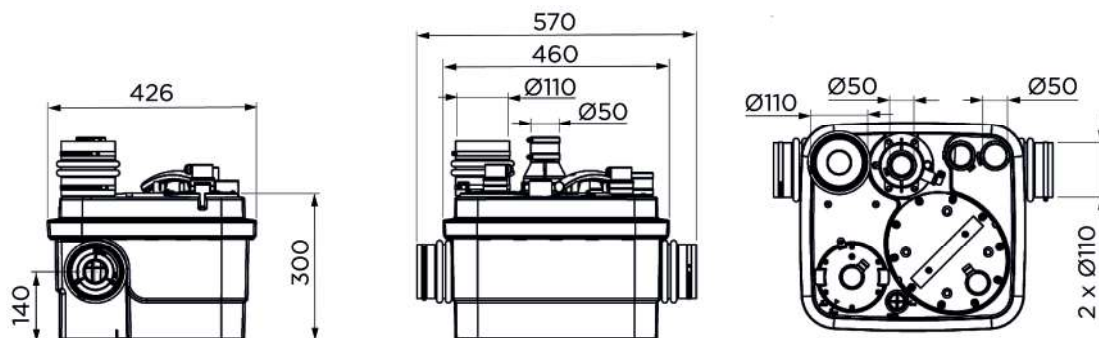
## CONNECTIONS



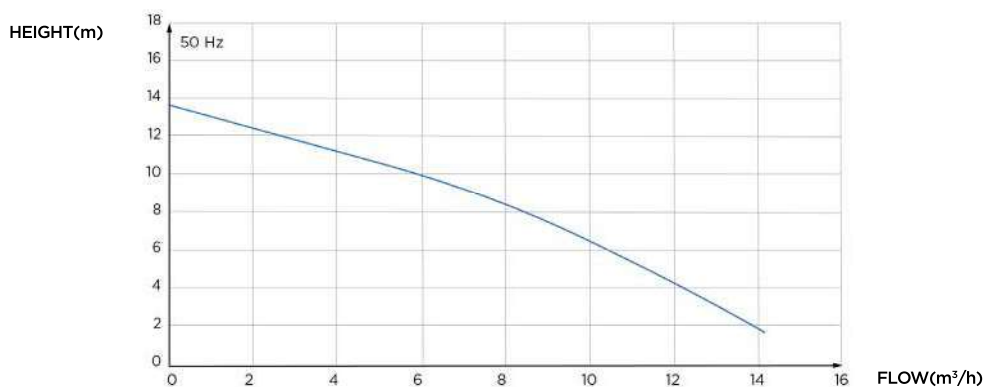
- ➔ External inlet diameter: 40, 50, 100, 110 mm
- ➔ Discharge diameter ext.: 50 mm
- ↔ Ext.ventilation diameter: 50 mm

# FLOOR-MOUNTED RANGE

## DIMENSIONS



## CURVE



	Sanicubic <sup>®</sup> 1	Sanicubic <sup>®</sup> 1 WP
Type of control box	Classic	Classic
<b>Materials</b>		
Tank	PP	PP
Pump housing	PA 12 GF	PA 12 GF
Motor housing	PA 12 GF	PA 12 GF
Impeller	PP GF	PP GF
<b>Electrical features</b>		
Voltage (V)	230	230
Frequency (Hz)	50-60	50-60
Power consumption P1 (P=power) (W)	1500	1500
Power output P2 (P=power) (W)	1050	1050
Mode of operation	S3 30%	S3 30%
IP Rating	IP67	IP68
<b>Hydraulics</b>		
Total manometric head (m)	13	13
Max. flow rate (m <sup>3</sup> /h)	15	15
External inlet diameter (mm)	40, 50, 100, 110	40, 50, 100, 110
Discharge diameter ext. (mm)	50	50
Ext.ventilation diameter (mm)	50	50
Total volume (L)	32	32
Useable volume (L)	10	10
Level ON/OFF (mm)	140/170	140/170
Alarm level (mm)	210	210
Max. temperature of the pumped liquid (5 min)	70°C	70°C
Type of wheel	Grinder	Grinder
Type of activation	Pneumatic	Pneumatic
<b>Identification and logistics</b>		
Gross weight (kg)	20	23
EAN code	3308815074429	3308815074436
Factory code	CUBIC1NM	CUBIC1IP68NM