

Sanicom[®] 2

grey water, aggressive and/or saline water

Sanicom 2 is a two-pump lifting station designed for intensive use. It evacuates grey water up to 90°C from restaurant kitchens, laundries, doctors' surgeries, changing rooms without toilets. Sanicom 2 consists of 2 independent pumps. The second pump assists the first in case of a large supply. The tank is equipped with 2 immersion tubes controlling the motor on the one hand and the alarm system on the other. A remote wired alarm is available as an option.



PERFORMANCES

- Total manometric head: 15 m
- Max. flow rate: 16 m³/h

AVANTAGES PRODUIT

- Easy installation without ground clearance
- Maintenance accessibility
- 2 low side inlets with external diameter 40/50/80
- Low latch
- Integrated control system
- 2 independent pumps
- High level detection
- Remote control unit with forced operation



STANDARD (SEE ACCESSORIES P.)

Classic control box

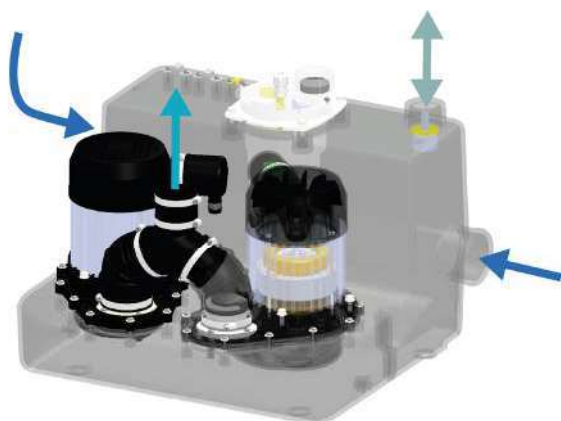


OPTIONAL (SEE ACCESSORIES P.)

Wired alarm box



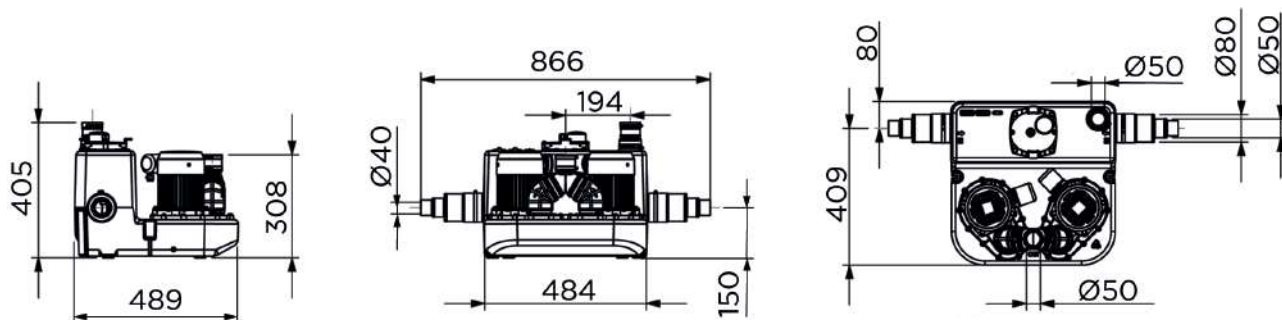
CONNECTIONS



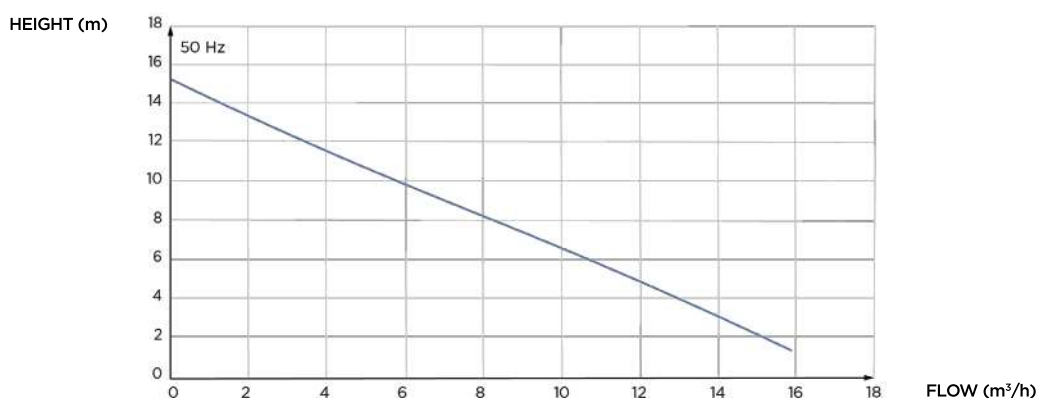
- ➔ External inlet diameter: 40, 50, 80 mm
- ➔ Discharge diameter ext.: 50 mm
- ↔ Ext.ventilation diameter: 50 mm

FLOOR-MOUNTED RANGE

DIMENSIONS



CURVE



Sanicom® 2 v02

Type of control box	Classic
Materials	
Tank	PE
Pump housing	PA 12 GF
Motor housing	Aluminium
Impeller	PA 6 GF
Electrical features	
Voltage (V)	230
Frequency (Hz)	50-60
Power consumption P1 (P=power) (W)	1500
Power output P2 (P=power) (W)	1050
IP Rating	IPX4
Hydraulics	
Total manometric head (m)	15
Max. flow rate (m³/h)	16
External inlet diameter (mm)	40, 50, 80
Discharge diameter ext. (mm)	50
Ext.ventilation diameter (mm)	50
Total volume (L)	34
Useable volume (L)	13
ON Level /OFF level (mm)	145/60
Alarm level (mm)	215
Passage libre (mm)	8
Max. temperature of the pumped liquid (5 min)	90°C
Type of wheel	Multi-channel
Type of activation	Pneumatic
Logistics	
Gross weight (kg)	26
EAN code	3308815082868
Factory code	COM2002