

APPLICATIONS



Washbasin

PUMPING



WARRANTIES & EXTENSIONS pg.11



References:  
Standard C11STD:EAN  
3308813099011  
C11STD

With C11LV washbasin:  
EAN 3308815065960  
C11LV

# Sanicompact® Pro



Can be installed instead of a bidet.

Small diameter discharge pipe: 32 mm.

Flow: > 100 L/min.



Contemporary design.

Can be connected to a washbasin.

Silence technology: 51 dB(A).



SEMI-TRANSPARENT VIEW



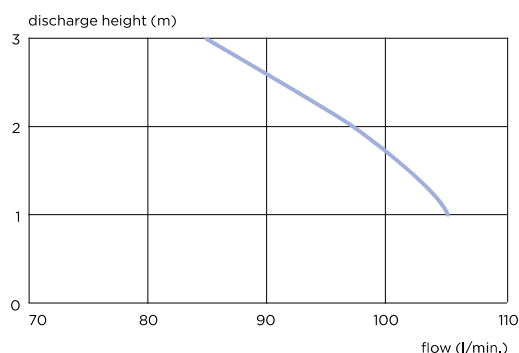
TECHNICAL FEATURES

Number of available inlets	1
Ø of inlets	40 mm
Ø of recommended discharge pipe	32 mm
Flow:	105 L/min at 1 m
Power rating	550 W
Voltage	220-240 V/50 Hz
Electrical class	1
Noise level	51 dB(A)

PACKING LIST

- Sanicompact® Pro
- Check valve
- Floor fixings provided
- Clip-on soft-closing toilet lid

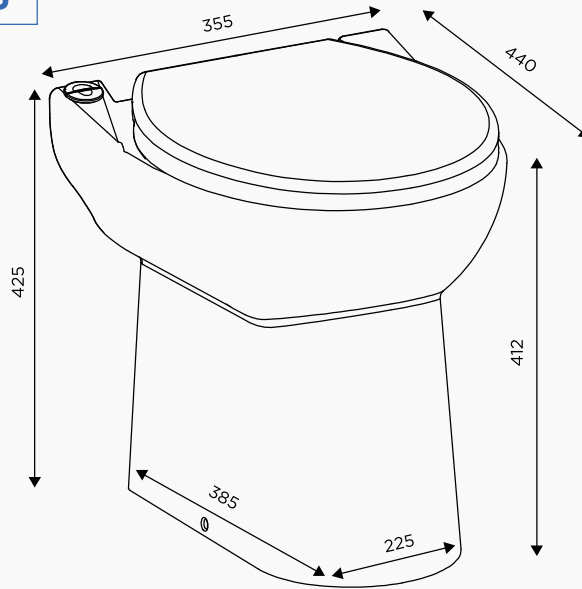
PUMP PERFORMANCE CURVE



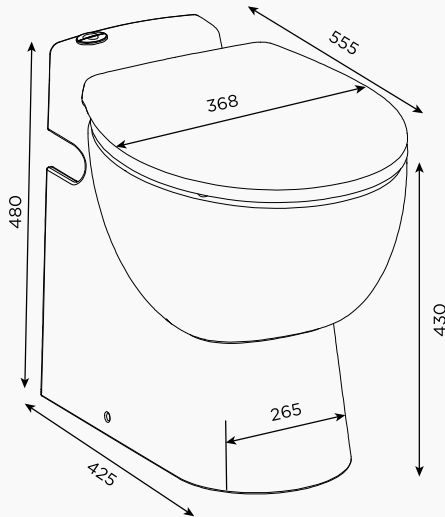
BVCert. 6045364



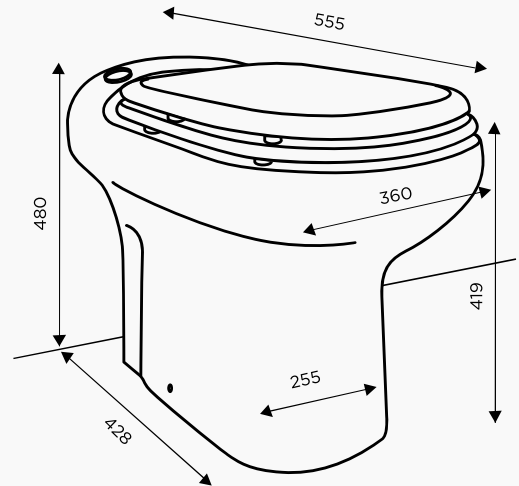
**Sanicompact® 43**



**Sanicompact® Pro**



**Sanicompact® Elite**



**Saniflush®**

